


BOSCH

Invented for life

VIP 1000 Single-channel Video Encoder or Decoder



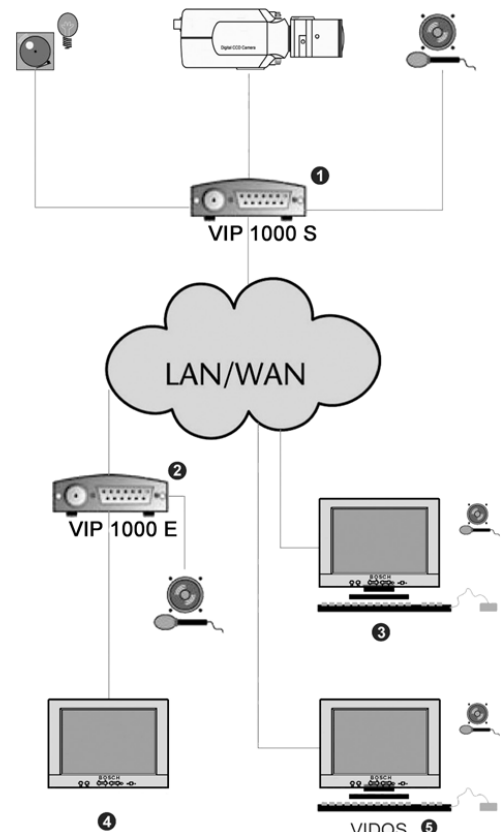
- ▶ Single-channel Encoder or Decoder
- ▶ MPEG-2 @ 4CIF
- ▶ MPEG-4 @ 4CIF/2CIF/CIF
- ▶ Bandwidth-efficient Triple Streaming
- ▶ Ultra-compact Size
- ▶ Multicast & Internet Streaming
- ▶ Full-duplex Audio
- ▶ Alarm Inputs & Relay Output
- ▶ Serial Data Port

The VIP 1000 features DVD quality fully interlaced MPEG-2 video and high quality MPEG-4 video, at up to 30 images per second, over IP networks. Supporting PAL/NTSC and CCIR/EIA sources and full-duplex audio, it is available in two models, either as encoder or decoder.

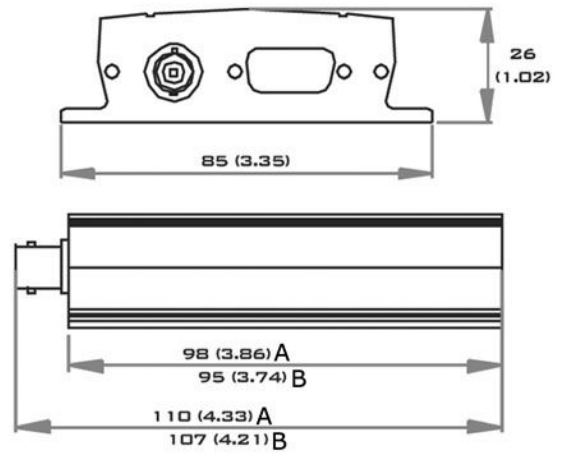
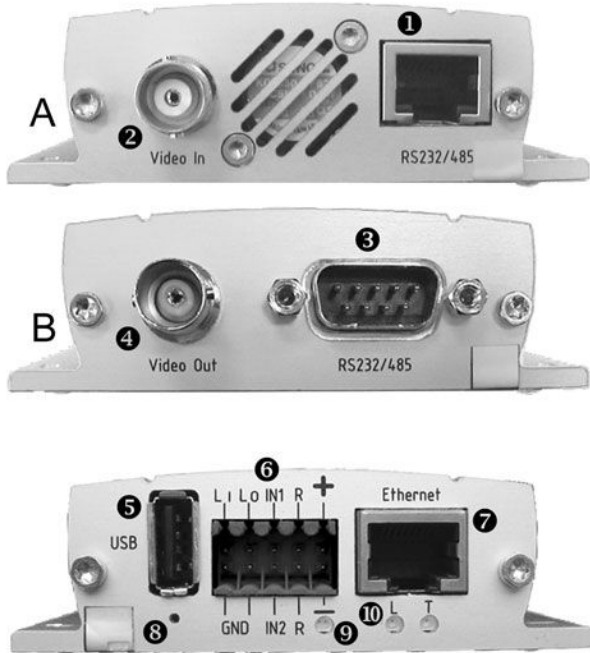
The video signal can be received and displayed with a standard web browser or VIDOS video management software. Using the decoder, you can integrate point-to-point connections into your system, to display video from any VIP or VideoJet encoder on analog monitors. The VIP 1000 provides triple streaming. It will generate an MPEG-2 video stream and concurrently dual stream two MPEG-4 video streams.

The VIP 1000 is ultra-compact, so it's perfect for any application that depends on space-saving solutions.

Installation/Configuration Notes



- | | |
|---------------|----------------------|
| 1 Encoder | 4 Analog Monitor |
| 2 Decoder | 5 VIDEOS Workstation |
| 3 Web Browser | |



Dimensions in mm (inches)

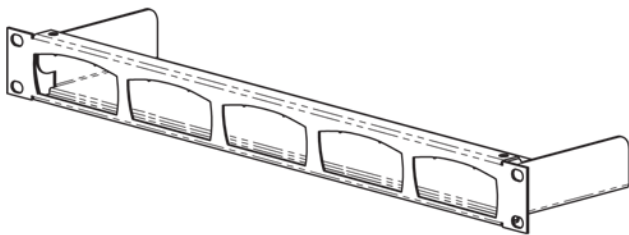
- A Encoder
- B Decoder

- | | |
|---|-------------------------------|
| 01 COM1: RS232/422/485 | 07 10/100 Base-T FastEthernet |
| 02 Video in (encoder) | 08 Reset: Factory Default |
| 03 COM1: RS232/422/485 | 09 LED power |
| 04 Video out (decoder) | 10 LED link |
| 05 USB Port (not used) | 11 LED traffic |
| 06 - Audio in/out
- Alarm in
- Relay out
- Power | |

- A Encoder
- B Decoder

Parts Included

Quantity	Component
1	VIP 1000 encoder or decoder with international plug-in power supply
1	RS232 Null modem cable
1	Quick installation Guide
1	CD-ROM with manual



Rack Mount Kit (optional)

Technical Specifications

Electrical

Video Standards	ISO/IEC13818-2 (MPEG-2) MP@ML; ISO/IEC14496 (MPEG-4); JPEG
Video Data Rate	MPEG-2: 1 MBit/s - 8 MBit/s MPEG-4: 9.6 kBit/s - 4 MBit/s Constant & variable
Video Resolution	MPEG-2: 720 x 576/480 (full D1:50 resp. 60 fields/s**) 352 x 288 (CIF: 25 resp. 30 fps**) MPEG-4: 720 x 576/480* (full D1: 7 fields/s**) 704 x 576* (4CIF: 7 fps**) 704 x 288 (2CIF: 14fps**) 352 x 576/480* (half D1 : 25 resp. 30 fields/s**) 352 x 288 (CIF: 25 resp. 30 fps**) 176 x 144 (QCIF:25 resp. 30 fps**)
GOP Structure	I, IP, IPB, IPBB
Overall Delay (IP)	MPEG-2: 198 resp. 180 ms (PAL resp. NTSC) MPEG-4: 100 ms
Select. Frame Rate	1-50 resp. 60 fields/s (PAL resp. NTSC); Field/frame based coding
Audio Standards	MPEG-1: ISO/IEC 11172-3; MPEG-2: Layer I/II; 300 Hz - 10 kHz MPEG-4: G.711; 300 Hz - 3.4 kHz
Audio Data rate	MPEG-2: 256 kBit/s MPEG-4: 80 kBit/s
Audio Sampl. rate	MPEG-2: 48 kHz MPEG-4: 8 kHz
Multiplex stan.	MPEG-2: ISO/IEC 13818-1
Stream Types	Elementary (video only), program stream
Network Protocols	RTP, Telnet, UDP, TCP, IP, HTTP, IGMP, ICMP, ARP, SNMP
Software Update	Flash ROM, remote programmable
Configuration	Via Web browser, built-in Web server Interfaces
Video In (Encoder)	1x analog composite: NTSC or PAL; BNC connector 75 ohm switchable, 0.7-1.2 Vpp
Video Out (Decoder)	1x analog composite: NTSC or PAL; BNC connector 75 ohm, 1 Vpp
Audio In	1 clamp mono line in, 3Vpp, ca. 50kOhm
Audio Out	1 clamp mono line out, 2.5 Vpp, 60 mW, min. 8 Ohm
Alarm In	2x clamp (non-isolated closure contact type), max. activation resistance 10 Ohm
Relay Out	1x clamp, 30 Vpp, 1 A
COM Port	1x RS232/422/485, RJ45 (Transmitter) resp. 9-pin Sub-D (Receiver)
Ethernet	10/100 Base-T, auto sensing, half/full duplex, RJ45

Environmental

Input Voltage	12-24 VDC, spring clamp contact
Power usage	App. 10 VA
Weight	App. 0.3 kg (0.66lbs)
Operating Temp.	0 - 50 °C (32 - 122 °F) ambient temp.
Humidity	20 - 80%, atmospheric humidity (not condensing)
Approvals	CE: IEC 60950; UL 1950; J 60950; S/NZS 3548; EN 55103-1, -2; EN 55130-4; EN 55022; EN 55024; EN 61000-3-2; EN 61000-3-3; FCC 47 CFR Ch.1 Part 15

* Supported from firmware version 2.10 onwards

** Depends on picture content

Ordering Information

Model | Description

VIP 1000S 2975
MPEG-2/4, 1 channel encoder, serial interface, alarm in and relay out

VIP 1000E 2976
MPEG-2/4, 1 channel decoder, serial interface, alarm in and relay out

Hardware Accessories

VIP 10 Rack mounting kit (up to 5 units in 1 HU)
Rack mount kit for 5 VIP units

PS 1110/21
Power supply for VIP units

Americas:
Bosch Security Systems
130 Perinton Parkway
Fairport, New York, 14450, USA
Phone: +1 585 223 4060
Fax: +1 800 289 0096
security.sales@us.bosch.com
www.boschsecurity.us

Europe, Middle East, Africa:
Bosch Security Systems B.V.
P.O. Box 80002
5600 JB Eindhoven, The Netherlands
Phone: +31 (0) 40 27 83955
Fax: +31 (0) 40 27 86668
emea.securitysystems@bosch.com
www.boschsecurity.com

Asia-Pacific:
Bosch Security Systems Pte Ltd
38C Jalan Pemimpin
Singapore 577180
Phone: +65 6319 3450
Fax: +65 6319 3499
apr.securitysystems@bosch.com
www.boschsecurity.com

Represented by